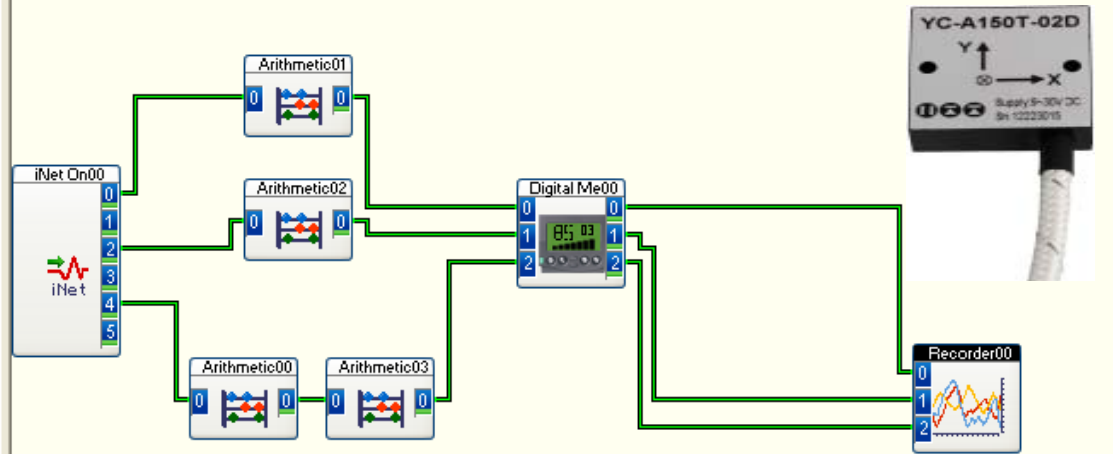


Test of system with 3 axis +/- 2G Static accelerometer



Digital Me00

-0,01
X axis
0,02
Y axis
0,99
Z axis

